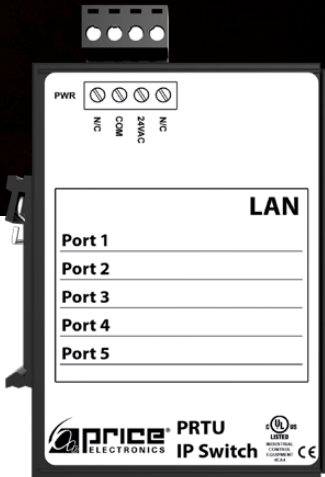


PRTU-IP-SWITCH

PRICE IP SWITCH



PRTU-IP-SWITCH

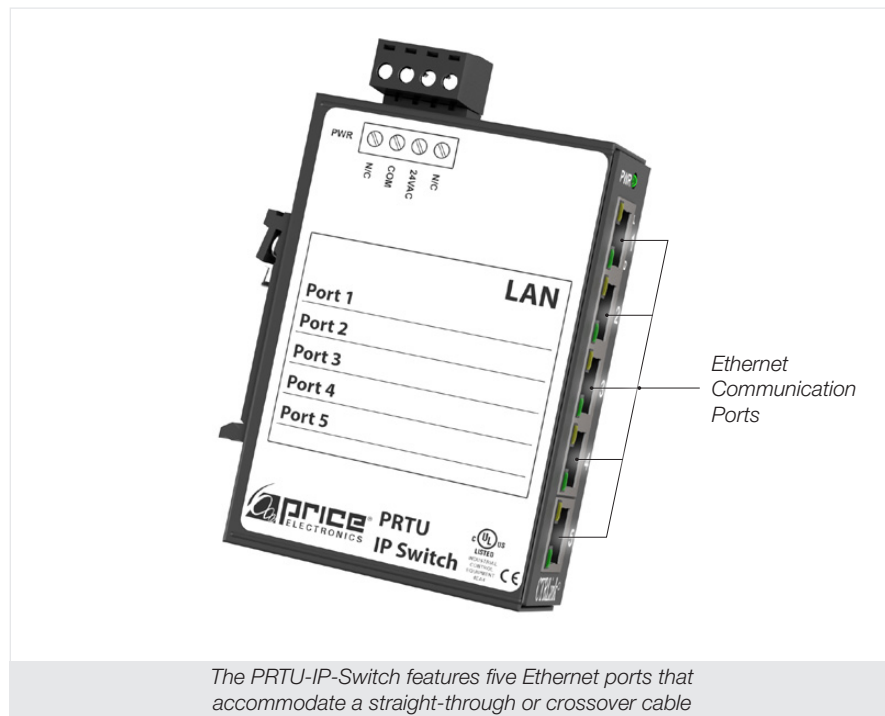
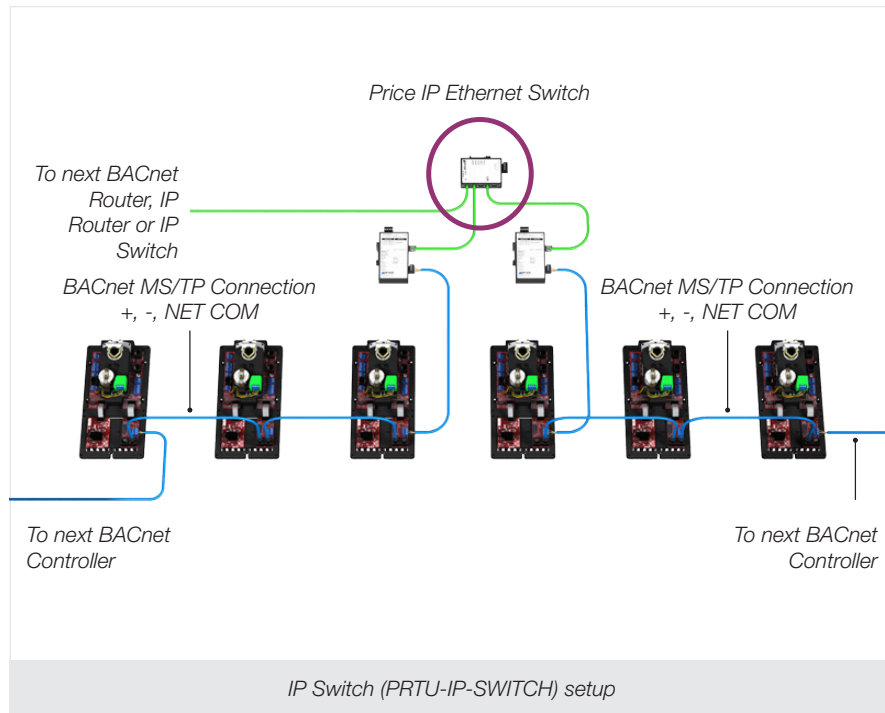
Price IP Switch

Typical System Configuration

The PRTU-IP-SWITCH is a plug-and-play Ethernet switch used to expand available connections for BACnet routers and additional network devices. All five ports automatically configure their data rate and accommodate a straight-through or crossover cable using the Auto-MDIX protocol.

FEATURES

- + Displays Power and Ethernet status via diagnostic LED
- + Plug-and-play operation
- + [5] shielded RJ-45 Ethernet Port 10/1000 Mbps
- + Automatic port speed configuration
- + DIN-rail mounting
- + UL 508, c-UL, CE



The PRTU-IP-Switch features five Ethernet ports that accommodate a straight-through or crossover cable

price | CONTROLS

Product Improvement is a continuing endeavour at Price. Therefore, specifications are subject to change without notice. Consult your Price Sales Representative for current specifications or more detailed information. Not all products may be available in all geographic areas. All goods described in this document are warranted as described in the Limited Warranty shown at priceindustries.com. The complete Price product catalog can be viewed online at priceindustries.com.